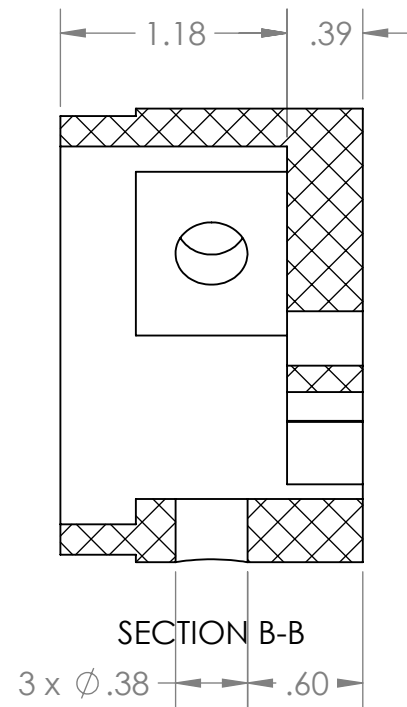
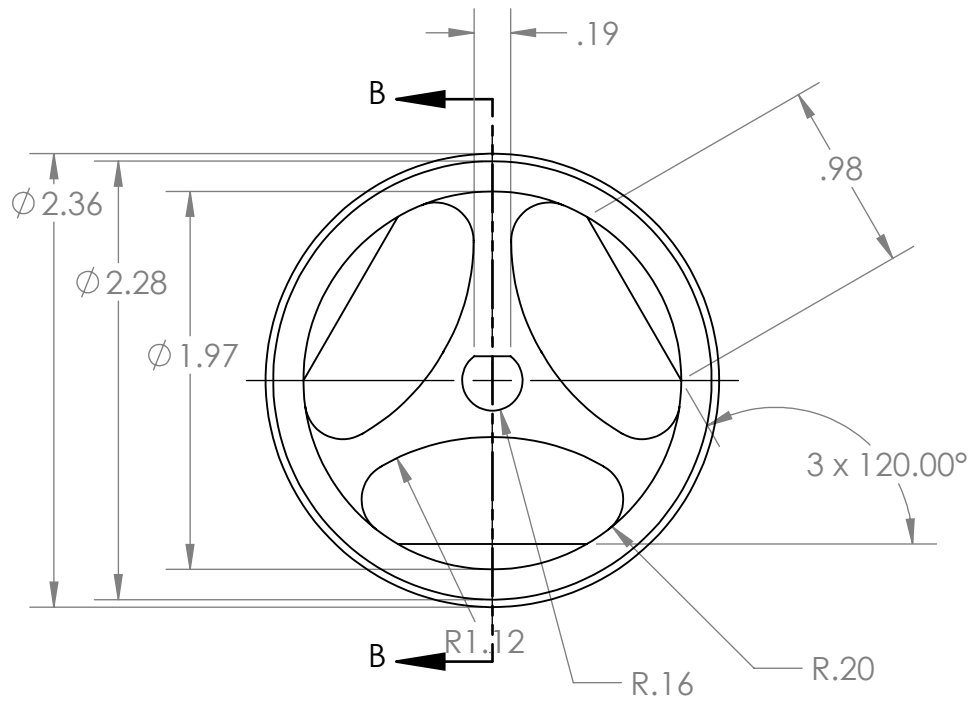
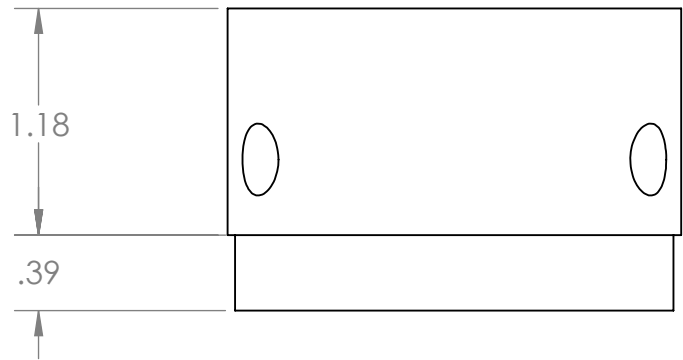
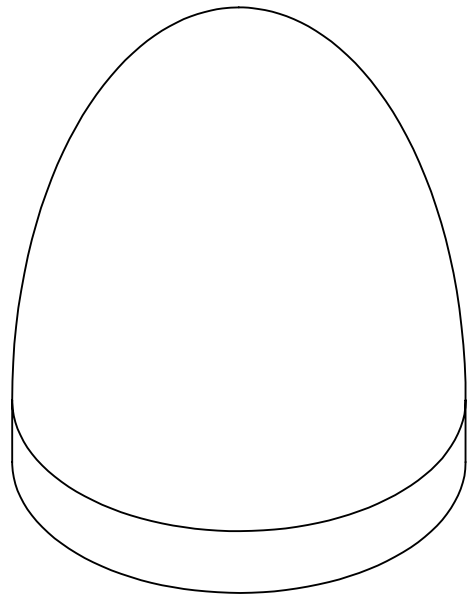


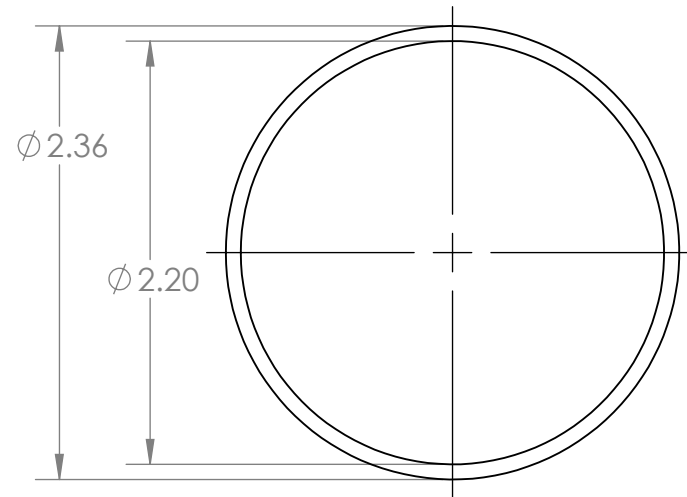
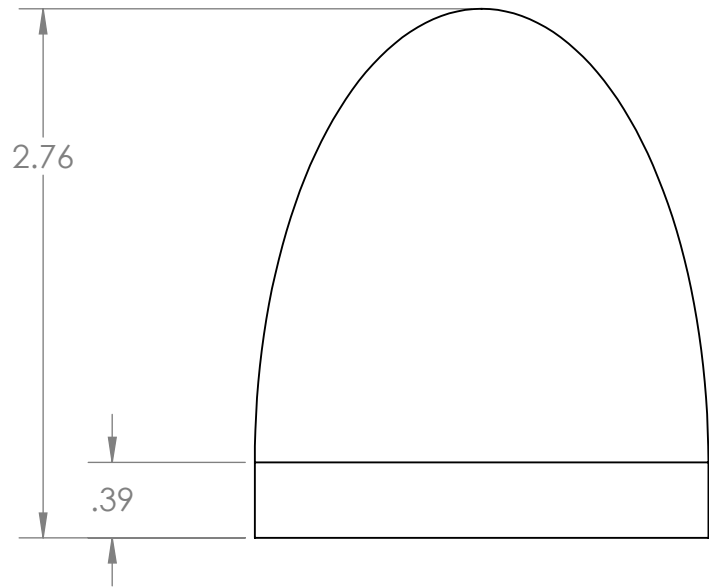
SIZE	TITLE: Hub mod1	
<b>A</b>	SCALE: 1:1	SHEET 1 OF 2

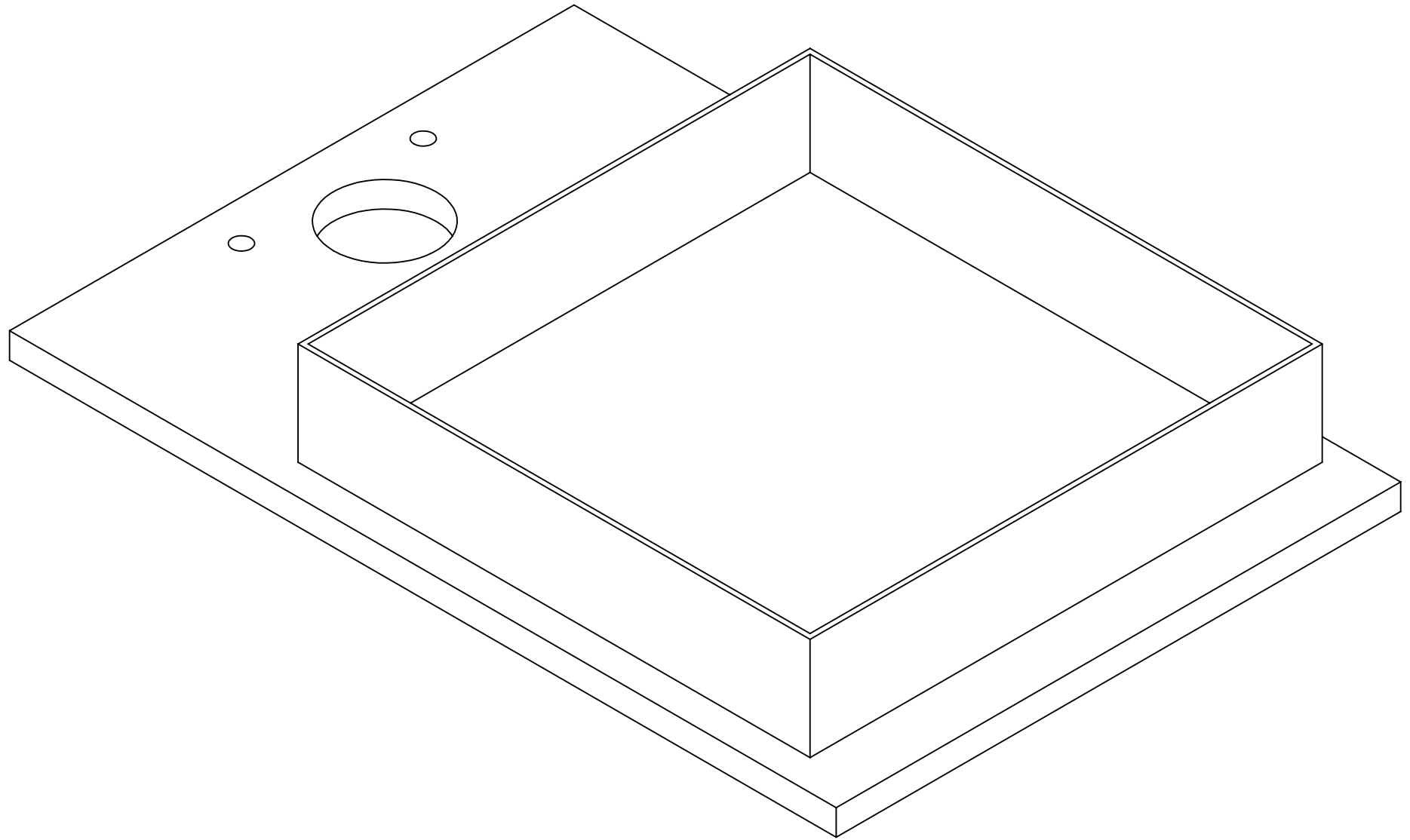


SIZE	TITLE: Hub mod1	
<b>A</b>	SCALE: 1:1	SHEET 2 OF 2



SIZE	TITLE: Hub Cover
<b>A</b>	SCALE: 1:1
	SHEET 1 OF 2





SIZE	TITLE: Baseplate with Control Box
<b>A</b>	SCALE: 1:2
	SHEET 1 OF 2

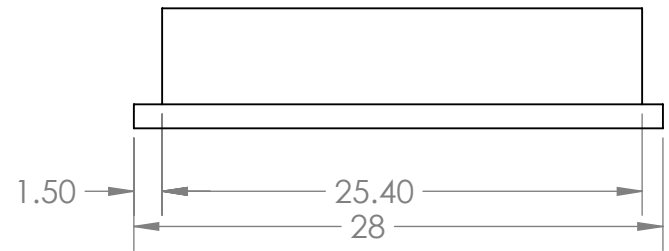
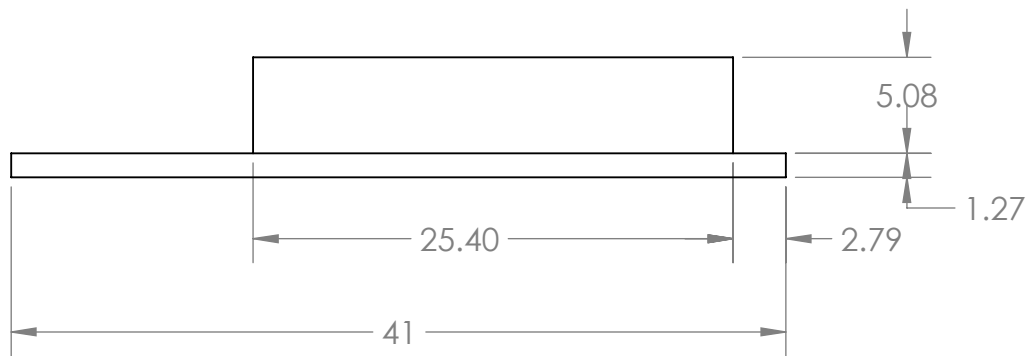
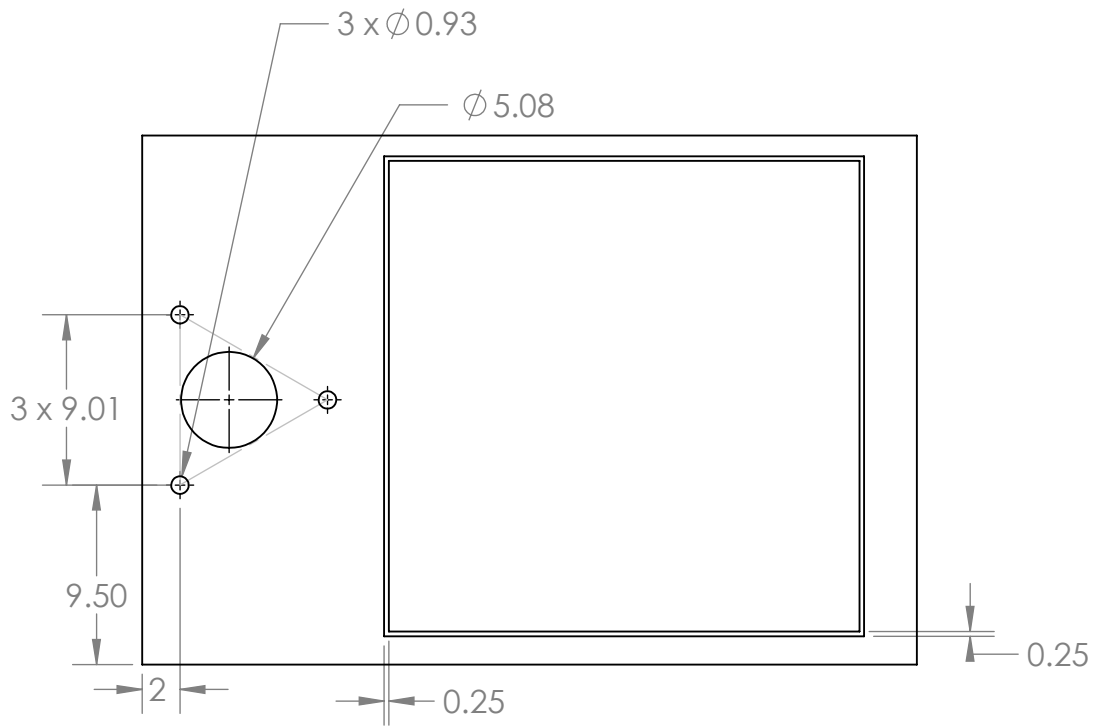
5

4

3

2

1



SIZE	TITLE: Baseplate with Control Box	
<b>A</b>	SCALE: 1:4	SHEET 2 OF 2

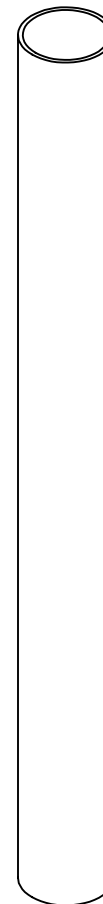
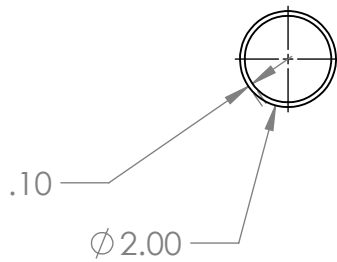
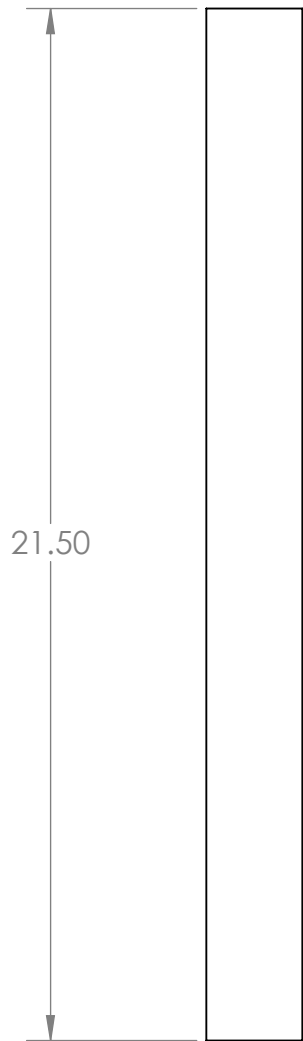
5

4

3

2

1



SIZE	TITLE: Shaft
<b>A</b>	SCALE: 1:4
	SHEET 1 OF 1

5

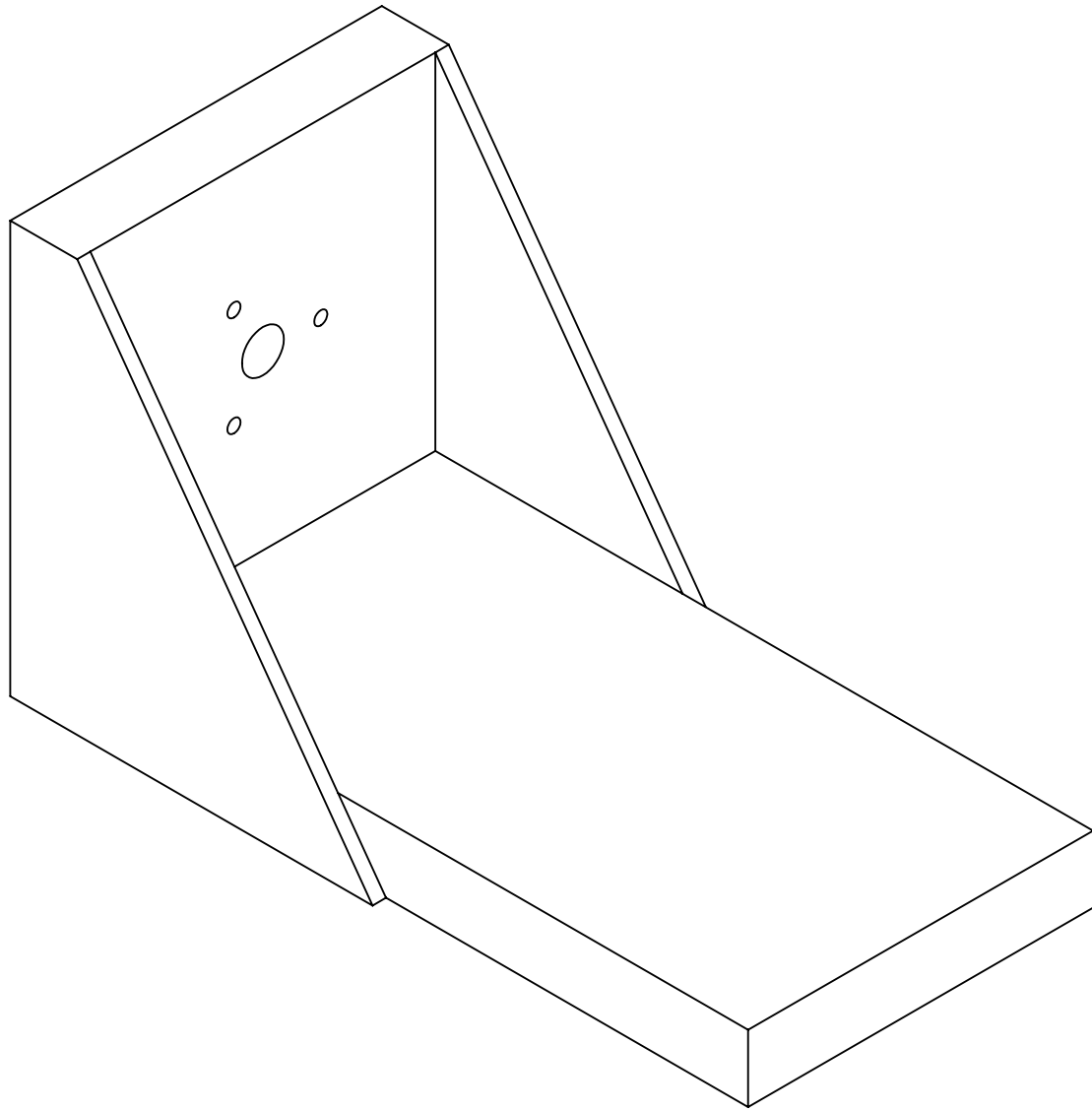


4

3

2

1



SIZE	TITLE: Generator Holder
<b>A</b>	SCALE: 1:1
	SHEET 1 OF 2

5

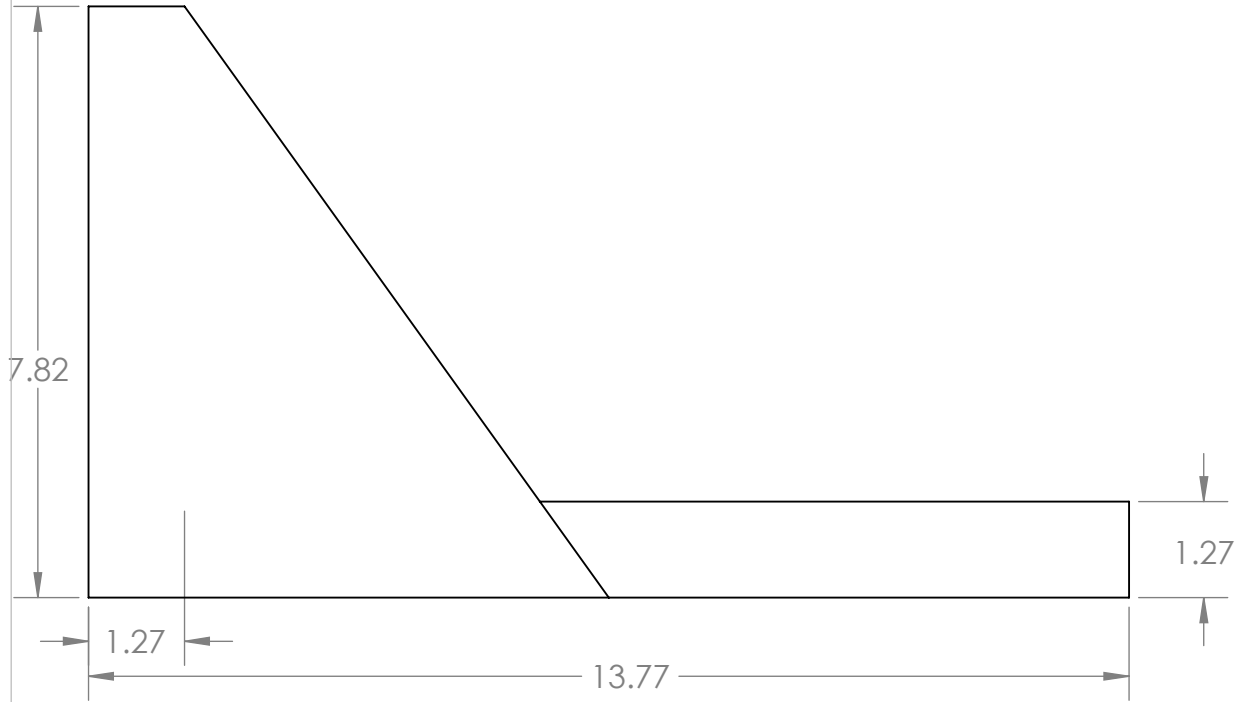
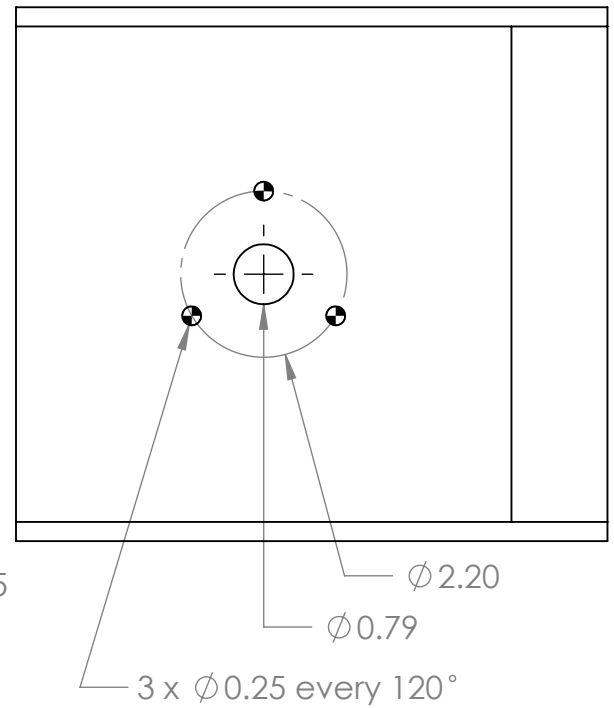
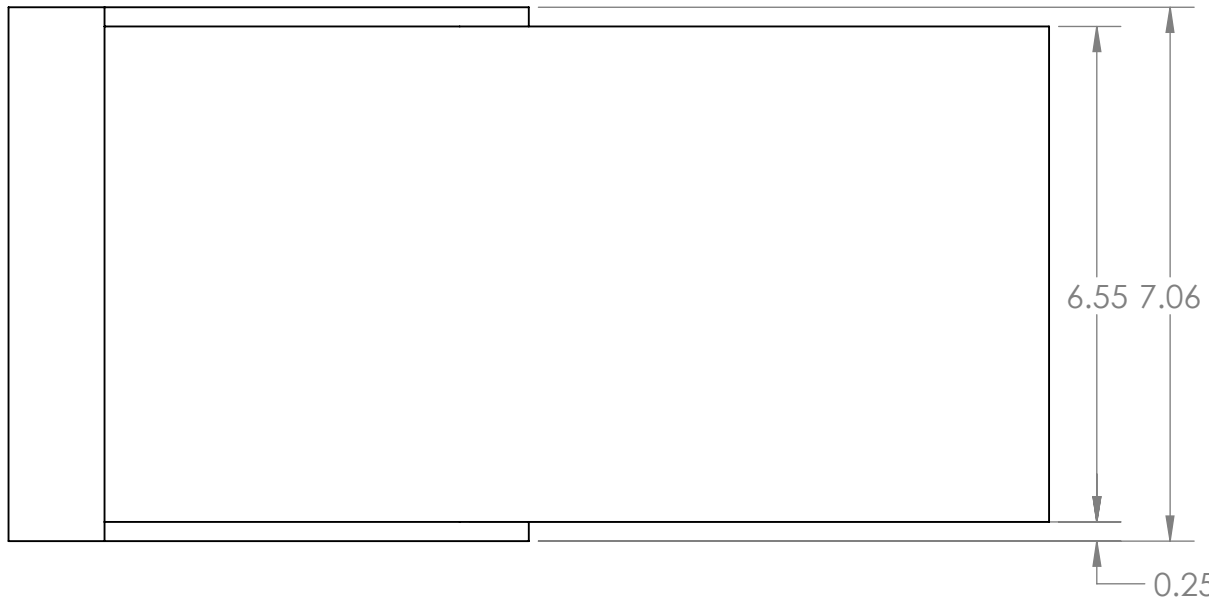
4

3

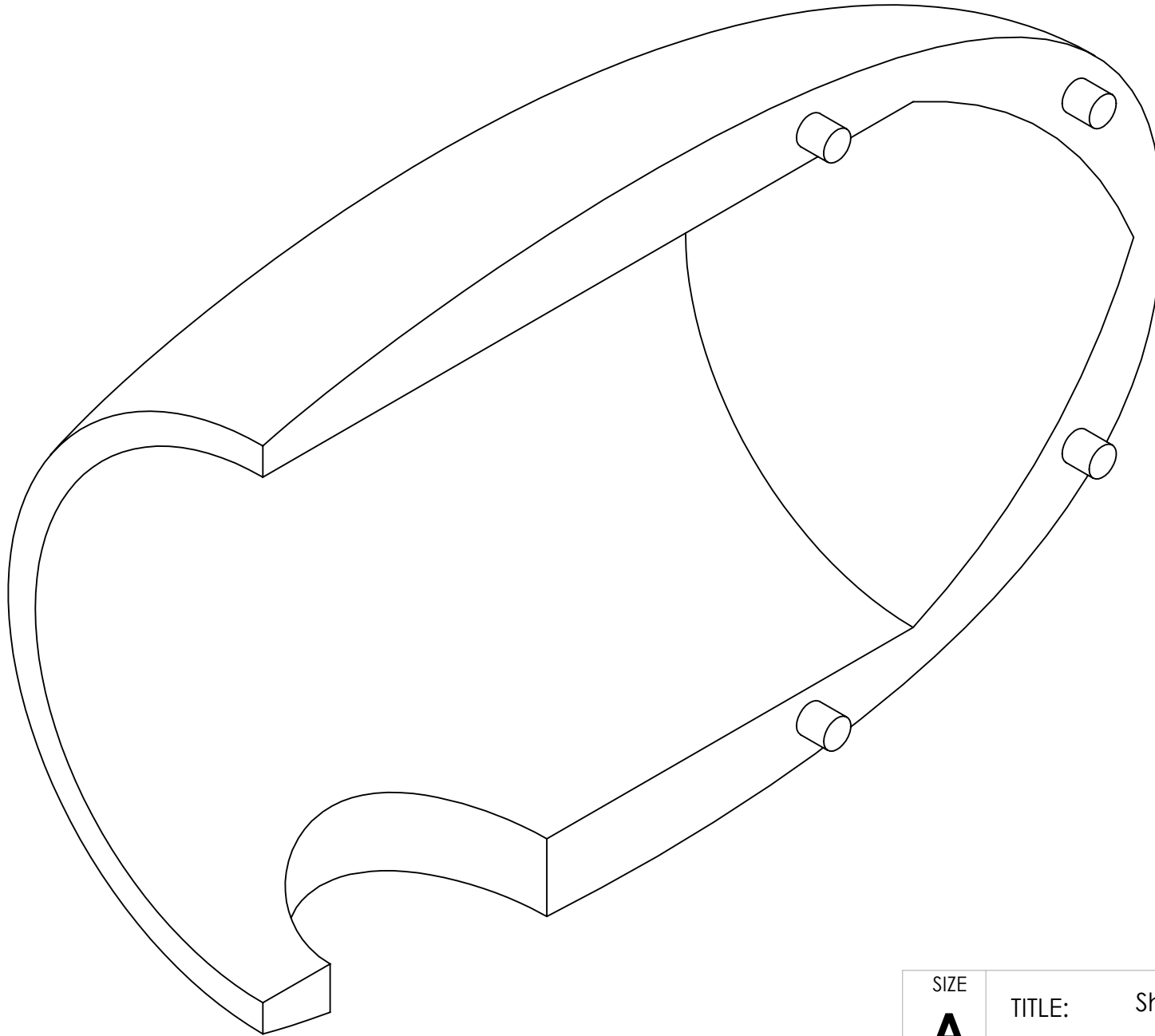
2

1





SIZE <b>A</b>	TITLE: Generator Holder	SHEET 2 OF 2
	SCALE: 1:1	



SIZE	TITLE: Shell-left
<b>A</b>	SCALE: 1:1
	SHEET 1 OF 2

5

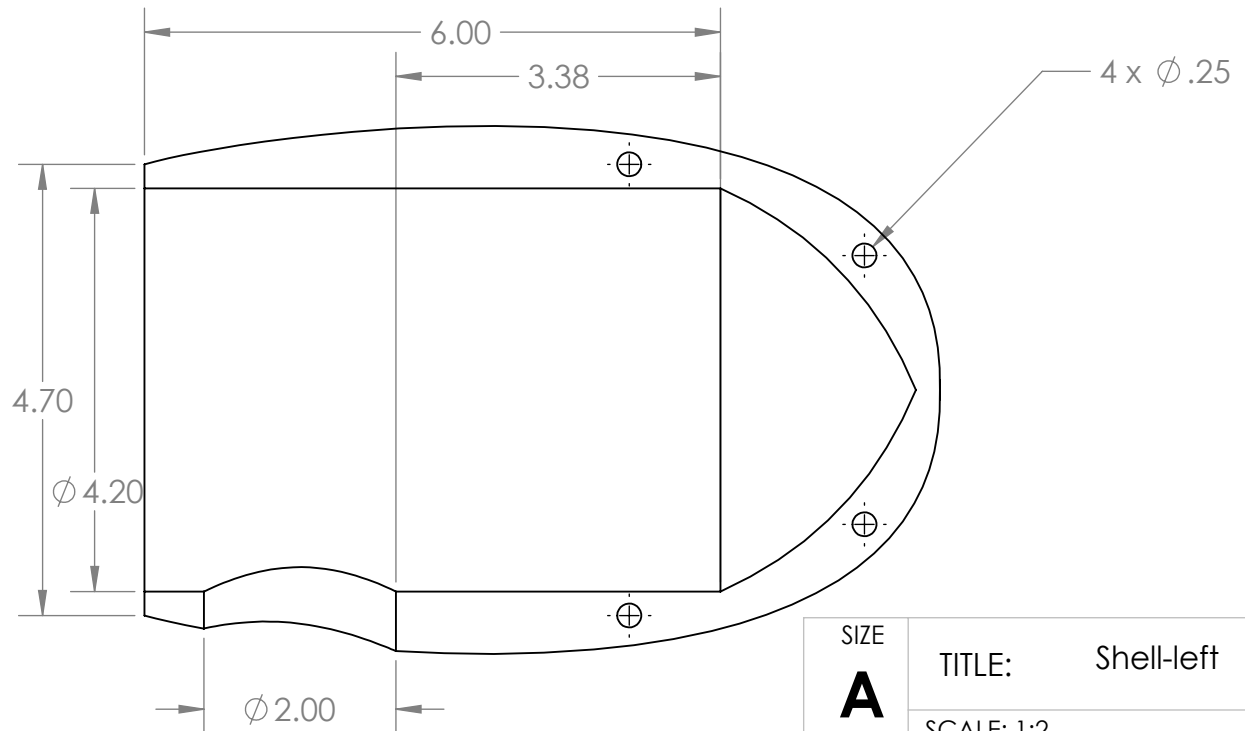
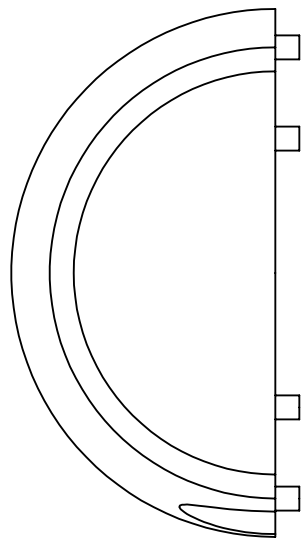
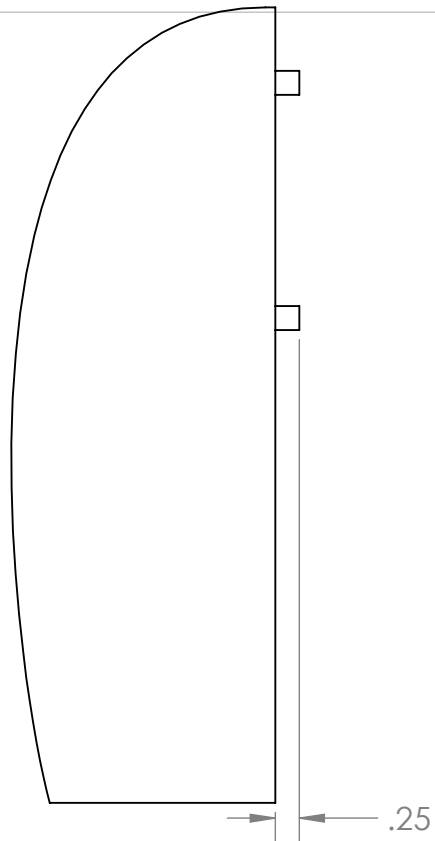


4

3

2

1



SIZE	TITLE: Shell-left
<b>A</b>	SCALE: 1:2
	SHEET 2 OF 2

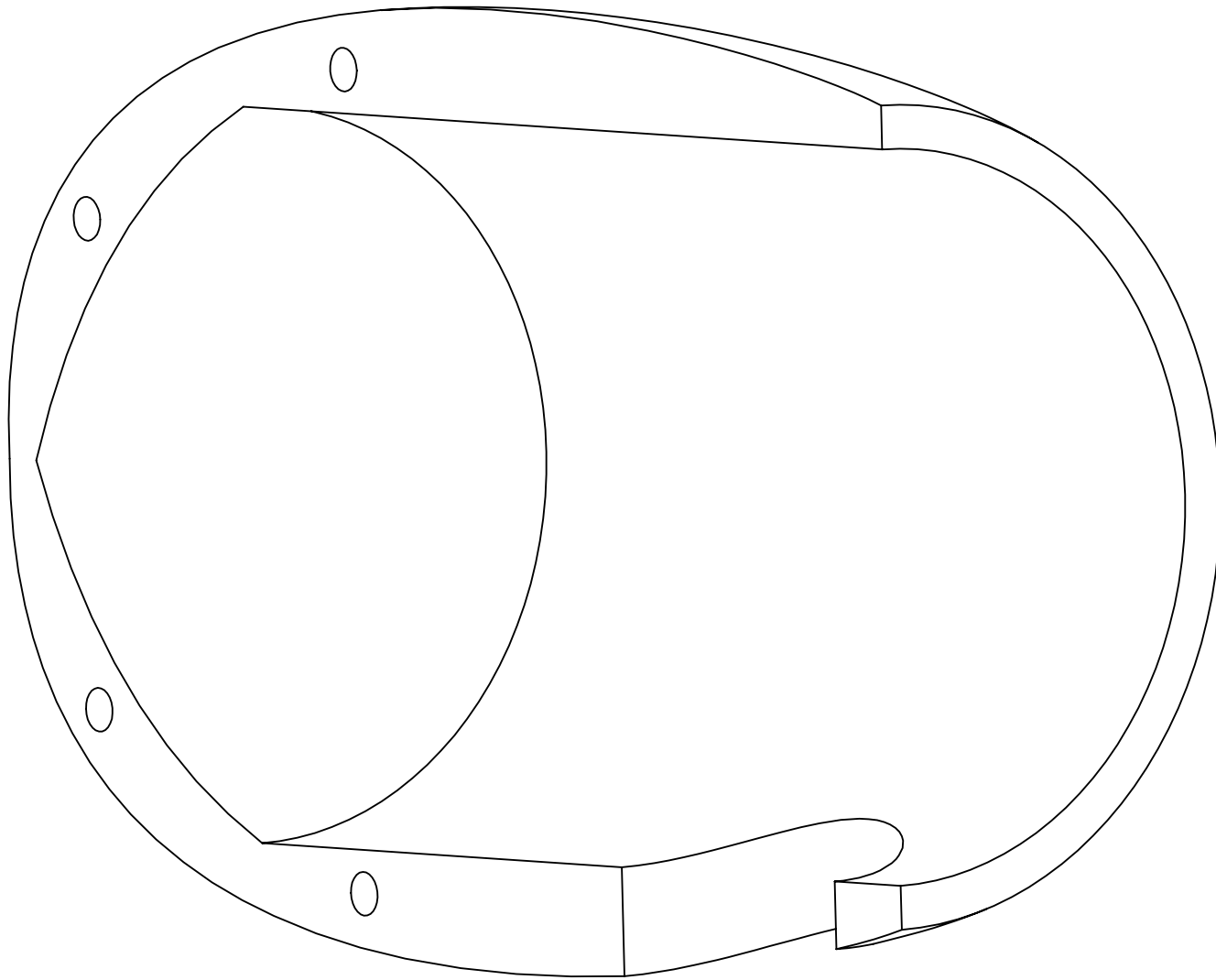
5

4

3

2

1



SIZE	TITLE: Shell-right
<b>A</b>	SCALE: 1:1
	SHEET 1 OF 2

5

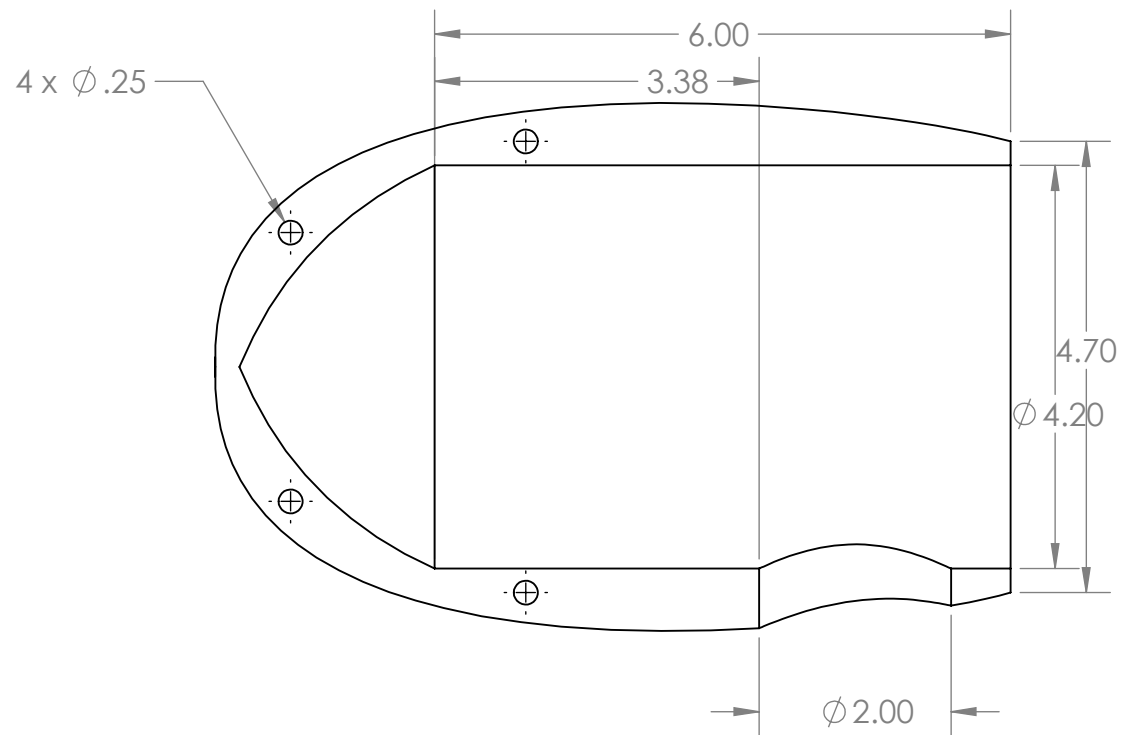
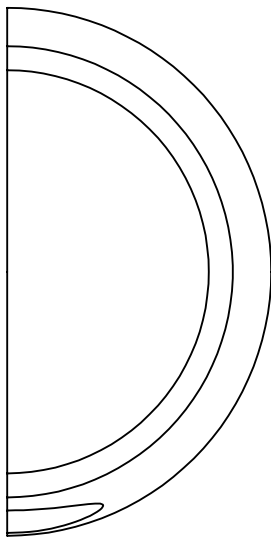
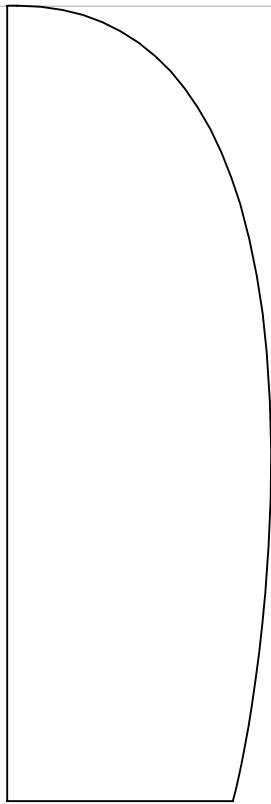


4

3

2

1



SIZE	TITLE: Shell-right
<b>A</b>	SCALE: 1:2
	SHEET 2 OF 2

5

4

3

2

1